

HD TURNBUCKLE JAW JAW



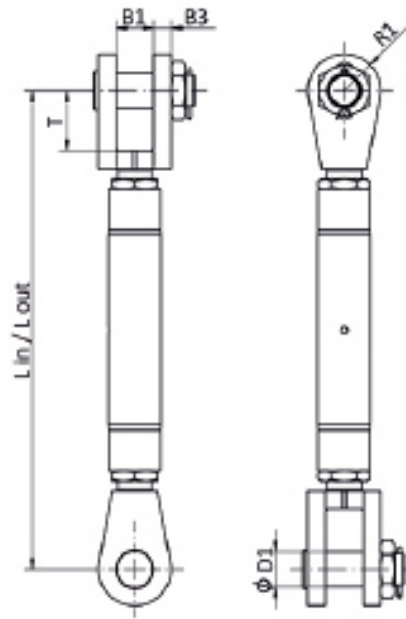
Material	:	High tensile steel
Safety Factor	:	5 times
Finish	:	Painted RAL 5013
Temperature Range	:	-20°C up to +200°C
Standard Certification	:	Certificate of Conformity

This type of rigging screw meets the requirement as laid down in the Dutch, British, American and other dock regulations. Deliverable with two securing nuts or plates upon request. Custom design screws can be constructed in any size and capacity. Rigging screws are supplied with trapezium thread.

Proof Load Certificate on request.

Non-standard sizes or custom products available on request.

Standard supplied with two securing nuts. This type of rigging screw meets the requirements as laid down in the Dutch, British, American and other Dock regulations.



Trap. mm	Article number painted RAL 5013 blue	SWL		L IN mm	L OUT mm	B1 (mm)	B3 (mm)	T (mm)	ØD1 (mm)	R1 (mm)
		tons	kN							
55 x 8	HDRS013.5JJ	13.5	133	935	1260	55	20	120	51	60
65 x 8	HDRS017JJ	17	167	1010	1360	65	28	130	63	70
70 x 8	HDRS025JJ	25	245	1085	1415	76	30	145	70	70
75 x 8	HDRS030JJ	30	294	1160	1530	80	35	160	72	75
80 x 8	HDRS035JJ	35	343	1250	1650	90	40	175	80	85
90 x 8	HDRS045JJ	45	442	1300	1780	100	45	175	90	95
100 x 8	HDRS055JJ	55	540	1380	1890	110	50	175	100	105
110 x 8	HDRS070JJ	70	687	1480	2025	110	55	175	108	115
120 x 8	HDRS085JJ	85	834	1565	2200	130	75	175	127	135
130 x 8	HDRS100JJ	100	981	1630	2360	140	90	175	140	145
140 x 8	HDRS120JJ	120	1177	1745	2340	155	90	190	152	170
160 x 8	HDRS160JJ	160	1570	1870	2470	170	100	210	178	190
180 x 8	HDRS200JJ	200	1962	2020	2640	190	110	250	190	220
200 x 8	HDRS250JJ	250	2453	2170	2840	210	120	280	250	260