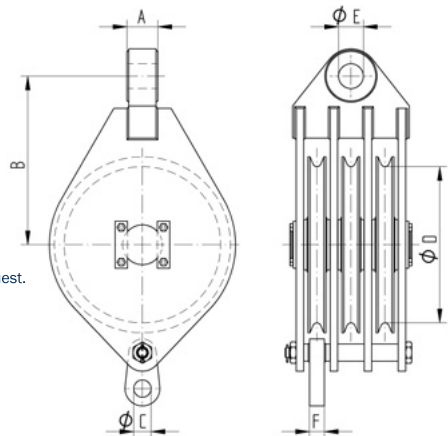




Safety Factor	:	4 times
Finish	:	Painted
Temperature Range	:	-20 °C up to +180 °C (-40 °C on request)
Standard Certification	:	Certificate of Conformity Proof Load Certificate on request.



Also available with shackle



## SPECIFICATION & OPTIONS



### Type of bearing

Type of bearing:  
roller or bronze.



### Size of wire

The size of the wire is relevant for the groove and the diameter (D/d-ratio) of the sheaves.



### Number of sheaves

The number of sheaves per product. This can be a standard amount or one available upon request.

### SWL/WLL

Working Load Limit (or Safe Working Load); the maximum load the relevant product is allowed to lift.