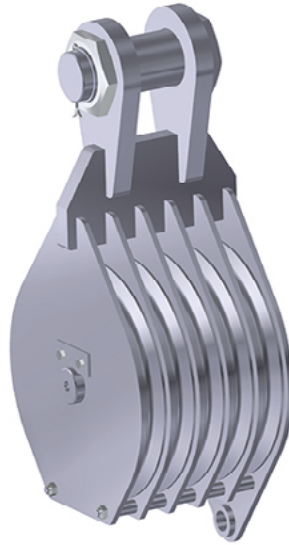
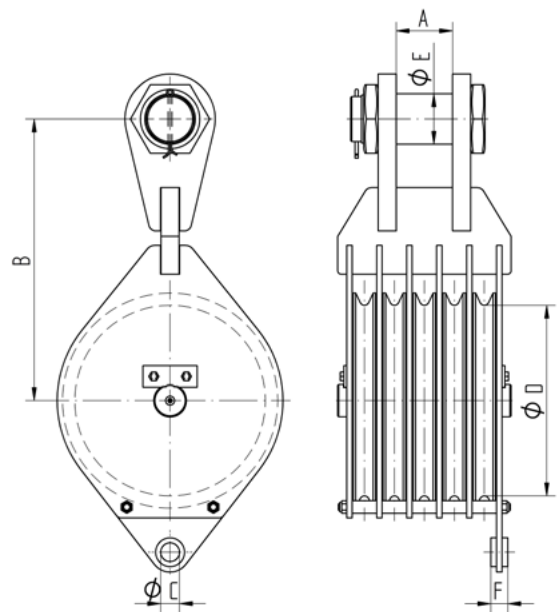


CONSTRUCTION BLOCK WITH JAW



Safety Factor	:	4 times
Finish	:	Painted
Temperature Range	:	-20°C up to +200°C (-40°C on request)
Standard Certification	:	Certificate of Conformity

Proof Load Certificate on request.



SPECIFICATION & OPTIONS



Type of bearing

Type of bearing;
roller or bronze.



Size of wire

The size of the wire is
relevant for the groove and
the diameter (D/d-ratio)
of the sheaves.



Number of sheaves

The number of sheaves per
product. This can be a
standard amount or one
available upon request.

SWL/WLL

Working Load Limit
(or Safe Working Load);
the maximum load
the relevant product
is allowed to lift.