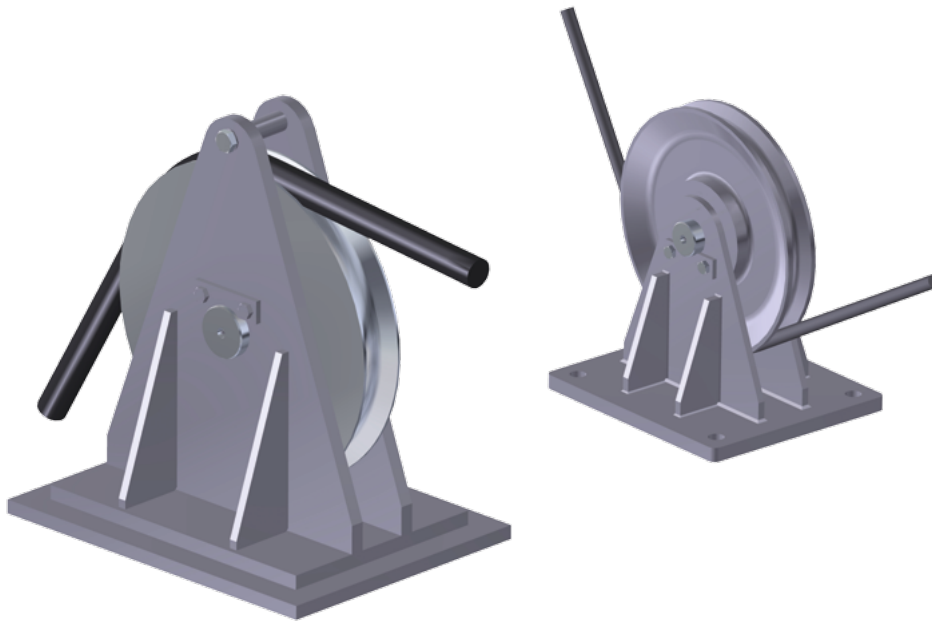



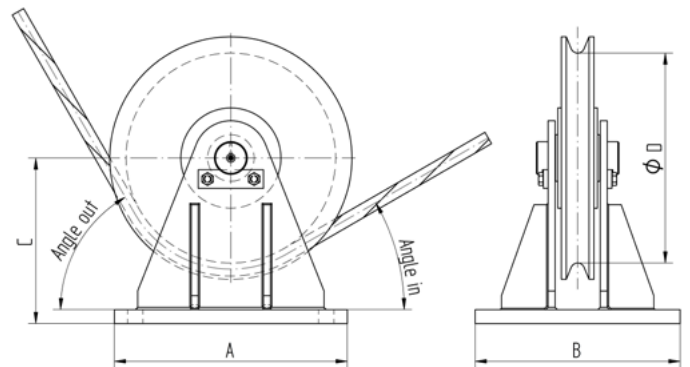
VERTICAL LEAD SHEAVE



Material	:	High tensile steel
Finish	:	Painted
Temperature Range	:	-20°C up to +200°C (-40°C on request)
Standard Certification	:	Certificate of Conformity

 Several options for painting according ISO 12944 on request.

Non-standard sizes or custom products available on request.



SPECIFICATION & OPTIONS



Size of wire

The size of the wire is relevant for the groove and the diameter (D/d-ratio) of the sheaves.



Wrap angle

The angle between the incoming and outgoing wire.



Type of bearing

Type of bearing: roller or bronze.



Line pull (tons)

Line pull of single line.



Connection to construction

Connection to construction; bolted or welded.



Reevings