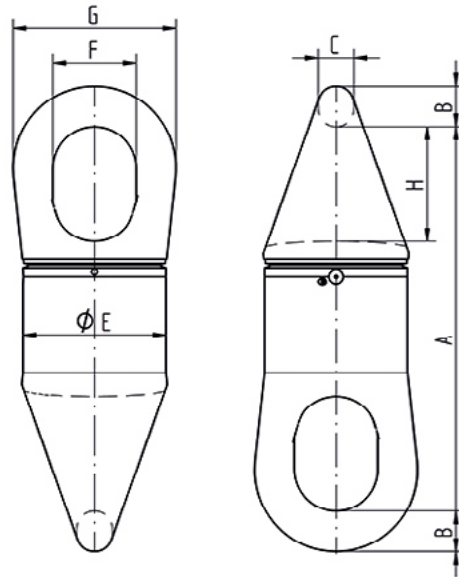


CR CHAIN SWIVEL



Material	:	Alloy steel quenched and tempered
Working Load Limit	:	20% of the MBL
Finish	:	Painted
Temperature Range	:	-20°C up to +200°C
Standard Certification	:	Certificate of Conformity Proof Load Certificate

Non-standard sizes or custom products available on request.



Size	MBL	Article number	PL	A	B	C	E	F	G	H	Weight
inches	tons	Painted	tons	mm							kg ±
2"	250	CR-CHAIN2	100	610	55	50	200	115	200	165	130
2 1/4"	300	CR-CHAIN2¼	120	700	65	57	225	135	230	195	152
2 1/2"	400	CR-CHAIN2½	160	710	75	65	250	150	270	205	180
3"	600	CR-CHAIN3	240	805	85	75	300	175	342	240	295
3 1/2"	800	CR-CHAIN3½	320	945	105	95	330	205	360	285	412
4"	900	CR-CHAIN4	360	1065	110	100	360	225	380	320	520