


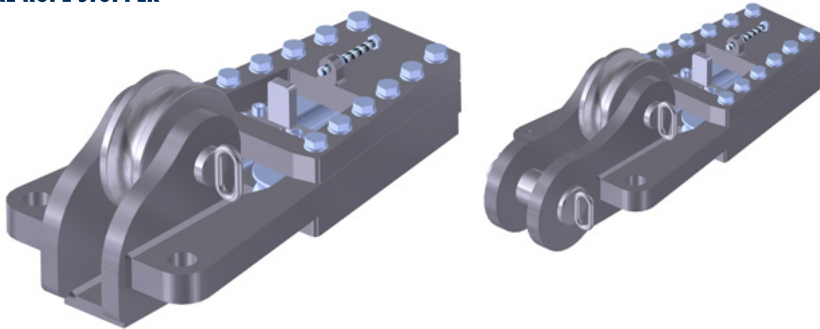
| | | |
|------------------------|---|---|
| Material | : | High tensile steel |
| Finish | : | Painted |
| Temperature Range | : | -20 °C up to +180 °C (-40 °C on request) |
| Standard Certification | : | Certificate of Conformity |



 Several options for painting according to ISO 12944 on request.

Special products available on request.

WIRE ROPE STOPPER



GUIDE BLOCK

