

HEAVY DUTY SWIVEL EYE 9,5 - 150 TONS

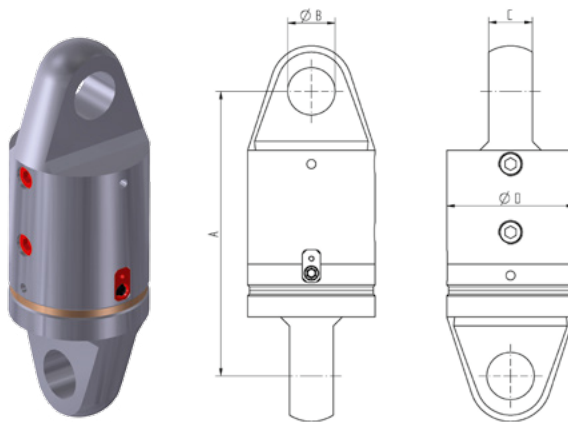


Material	:	Alloy steel quenched and tempered
Safety Factor	:	5 times WLL
Finish	:	Painted
Temperature Range	:	-20 °C up to +180 °C (-40 °C available on request)
Standard Certification	:	Certificate of Conformity 3.1 material Certificate EN 10204 Proofload Certificate



Upon request also available for underwater use.

Non-standard sizes or custom products available on request.



Article number	WLL	A	ØB	C	ØD	E	T	Weight ±
	tons							mm
HDS9,5EE	9,5	268	36	32	125	n.v.t.	n.v.t.	19
HDS13,5EE	13,5	313	44	42	130	n.v.t.	n.v.t.	23
HDS17EE	17	313	52	48	140	n.v.t.	n.v.t.	28
HDS25EE	25	325	54	55	150	n.v.t.	n.v.t.	32
HDS35EE	35	378	60	70	170	n.v.t.	n.v.t.	52
HDS55EE	55	478	74	78	200	n.v.t.	n.v.t.	89
HDS85EE	85	538	88	98	230	n.v.t.	n.v.t.	140
HDS120EE	120	658	100	120	280	n.v.t.	n.v.t.	249
HDS150EE	150	728	114	126	300	n.v.t.	n.v.t.	321