

# HEAVY DUTY SWIVEL JAW JAW 9,5 - 150 TONS

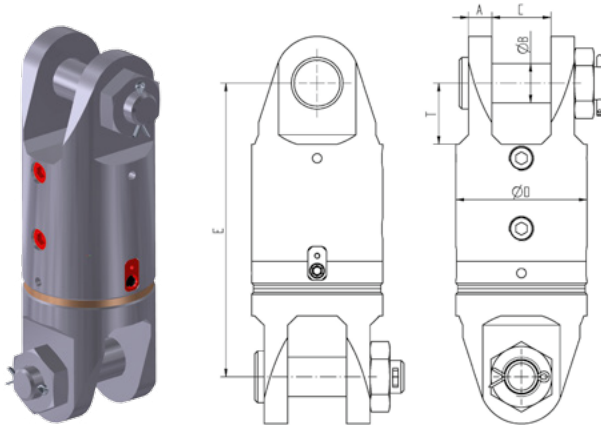


Material	:	Alloy steel quenched and tempered
Safety Factor	:	5 times WLL
Finish	:	Painted
Temperature Range	:	-20 °C up to +180 °C (-40 °C available on request)
Standard Certification	:	Certificate of Conformity 3.1 material Certificate EN 10204 Proofload Certificate



Upon request also available for underwater use.

**Non-standard sizes or custom products available on request.**



Article number	WLL	A	ØB	C	ØD	E	T	Weight ±
	tons							kg
HDS9,5JJ	9,5	16	32	50	125	268	50	21
HDS13,5JJ	13,5	22	38	60	130	313	70	27
HDS17JJ	17	25	42	63	140	313	65	33
HDS25JJ	25	26	50	78	150	328	65	41
HDS35JJ	35	35	57	90	180	378	75	66
HDS55JJ	55	40	70	110	220	473	100	119
HDS85JJ	85	50	83	130	260	538	110	195
HDS120JJ	120	60	95	150	320	658	135	347
HDS150JJ	150	65	108	180	360	728	150	471