

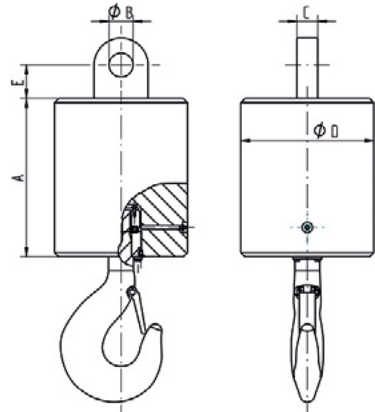


- Material : Alloy steel quenched and tempered
- Safety Factor : 4 times SWL
- Finish : Painted
- Temperature Range : -20 °C up to +180 °C
(-40 °C available on request)
- Standard Certification : Certificate of Conformity
Proofload certificate included
3.1 material Certificate EN 10204



Upon request also available for underwater use.

Non-standard sizes or custom products available on request.



SWL tons	Article number painted	Weight kg ±	Hook size P	A	ØB	C	ØD	E	Suitable for OWS Nr.
				mm					
2	BALL02C040	40	1,6	200	27	22	180	40	1
4	BALL04C060	60	1,6	230	32	28	200	50	2
5	BALL05C075	75	2,5	200	37	35	240	60	3
8	BALL08C100	100	4	270	43	40	240	60	4
10	BALL10C130	130	5	315	52	45	250	70	5
12	BALL12C150	150	5	335	59	50	270	80	6
15	BALL15C200	200	6	340	66	60	300	90	7
20	BALL20C250	250	8	380	73	70	320	100	9