

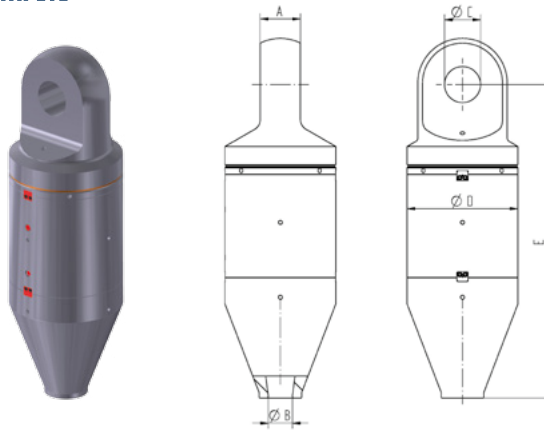
# SWIVEL SOCKETS WITH EYE OR JAW



Material	:	Alloy steel quenched and tempered
Working Load Limit	:	20% of the MBL
Finish	:	Painted
Temperature Range	:	-20 °C up to +180 °C
Standard Certification	:	Certificate of Conformity 3.1 material certificate EN 10204

Non-standard sizes or custom products available on request.

## SWIVEL SOCKET WITH EYE



## SWIVEL SOCKET WITH JAW

