

# 6 SHEAVES OVERHEAD TRAVELLING CRANE



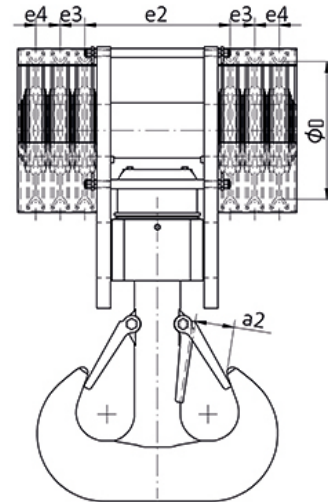
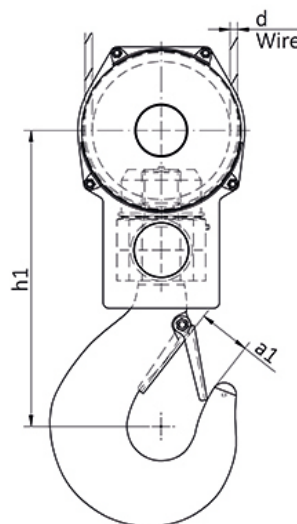
|                        |   |   |
|------------------------|---|---|
| Safety Factor          | : | 4 times                                       |
| Finish                 | : | Painted                                       |
| Temperature Range      | : | -20 °C up to +200 °C<br>(-40 °C on request)   |
| Standard Certification | : | Certificate of Conformity<br>Hook Certificate |



 Several options for painting according ISO 12944 on request.

Proof Load Certificate on request.

**Non-standard sizes or custom products available on request.**



| SWL Tons | Hook size | d wire | ØD  | h1   | a1  | a2  | e2  | e3 | e4 |
|----------|-----------|--------|-----|------|-----|-----|-----|----|----|
| (1 Bm)   | P         | mm     |     |      |     |     |     |    |    |
| 50       | 20        | 12-13  | 250 | 660  | 110 | 73  | 360 | 80 | 80 |
| 63       | 25        | 14-15  | 315 | 740  | 132 | 87  | 370 | 80 | 80 |
| 80       | 32        | 16-17  | 355 | 810  | 137 | 108 | 380 | 80 | 80 |
| 100      | 40        | 18     | 355 | 900  | 167 | 112 | 420 | 80 | 80 |
| 125      | 50        | 19-20  | 400 | 1000 | 188 | 130 | 525 | 80 | 80 |
| 160      | 63        | 21-22  | 500 | 1060 | -   | 160 | 560 | 80 | 80 |
| 200      | 80        | 23     | 500 | 1325 | -   | 180 | 620 | 80 | 80 |