

OPEN SPELTER SOCKET WITH SAFETY PIN

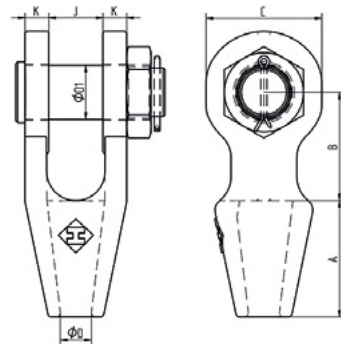


Material	:	Cast steel
Working Load Limit	:	20% of the MBL
Finish	:	Painted or galvanised (< Type No. 100 standard galvanised)
Temperature Range	:	-40 °C up to +200 °C
Standard Certification	:	Certificate of Conformity 3.1 material certificate EN 10204



These sockets include our non-rotating system (NRS-system) which prevents the tump from turning or slipping out of the cone and guarantees a high performance connection.

Non-standard sizes or custom products available on request.



NR.	Rope Ø		Article number		MBL tons	A	B	C	ØD	ØD1	J	K	Weight kg ±
	mm	inch	paint RAL 5013 blue	galvanised									
192	6 - 7	1/4	-	OSSB192G	8	52	39,5	33,5	8	17,5	17,5	8	0,4
194	8 - 10	5/16 - 3/8	-	OSSB194G	12	58	44,5	39,5	11	20,5	20,5	11	0,8
196	11 - 13	7/16 - 1/2	-	OSSB196G	20	63,5	51	49	14	25,5	25,5	12	1,3
198	14 - 16	9/16 - 5/8	-	OSSB198G	30	76,5	63,5	62	17,5	30	32	14	2,3
100	17 - 19	3/4	OSSB100P	OSSB100G	40	89	76	100	21	35	38	16	3,2
104	20 - 22	7/8	OSSB104P	OSSB104G	60	101	89	85,5	24	41	44	19	5
108	23 - 26	1	OSSB108P	OSSB108G	75	114	101	114	28	51	51	22	8,8
111	27 - 30	1 1/8	OSSB111P	OSSB111G	100	127	114	123,5	32	57	57	25	11,6
115	31 - 36	1 1/4 - 1 3/8	OSSB115P	OSSB115G	125	139	127	135	38	63	63	28	16,3
118	37 - 39	1 1/2	OSSB118P	OSSB118G	150	152	162	152	41	70	76	30	23,5
120	40 - 42	1 5/8	OSSB120P	OSSB120G	180	165	165	168	44	76	76	33	29
125	43 - 48	1 3/4 - 1 7/8	OSSB125P	OSSB125G	230	191	178	190	51	89	89	39	45
128	49 - 54	2 - 2 1/8	OSSB128P	OSSB128G	280	216	229	206	57	95	102	45	64,5
130	55 - 60	2 1/4 - 2 3/8	OSSB130P	OSSB130G	375	229	254	225	63	108	113	53	88
132	61 - 68	2 1/2 - 2 5/8	OSSB132P	OSSB132G	425	248	273	251	73	121	127	60	125
135	69 - 75	2 3/4 - 2 7/8	OSSB135P	OSSB135G	500	279	279	266	79	127	133	73	162
138	76 - 80	3 - 3 1/8	OSSB138P	OSSB138G	600	305	286	274	86	133	146	76	195
140	81 - 86	3 1/4 - 3 3/8	OSSB140P	OSSB140G	700	330	298	286	92	140	159	79	224
142	87 - 93	3 1/2 - 3 5/8	OSSB142P	OSSB142G	750	356	318	310	99	152	171	83	280
144	94 - 102	3 3/4 - 4	OSSB144P	OSSB144G	950	381	343	352	108	178	191	89	378
146	108 - 115	4 1/2	OSSB146P	OSSB146G	1200	460	480	430	125	190	208	101	564
150	122 - 130	5	OSSB150P	OSSB150G	1400	500	500	550	138	250	210	120	922
160	140 - 155	5 1/2 - 6	OSSB160P	OSSB160G	2000	580	500	590	160	275	230	140	1295
170	158 - 167	6 1/2	OSSB170P	OSSB170G	2500	675	600	640	175	290	310	160	1950