


# HOOK BLOCK SPEED REEVE 1 SHEAVE



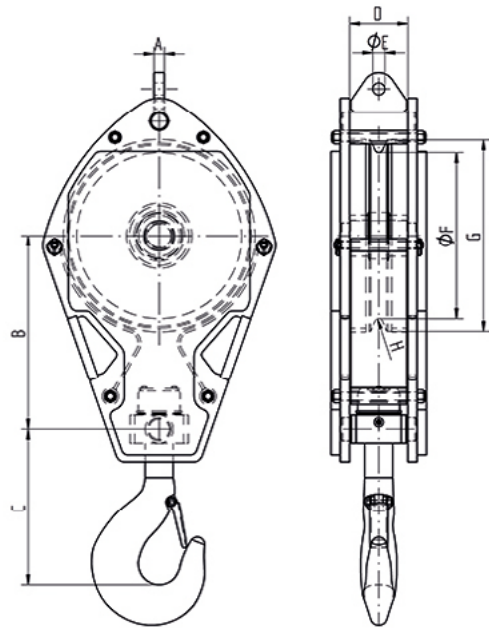
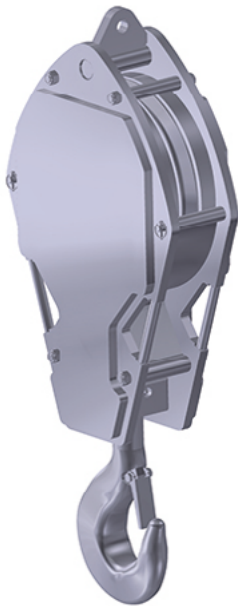
Safety factor	:	4 times
Finish	:	Painted
Temperature Range	:	-20 °C up to +200 °C (-40 °C on request)
Standard Certification	:	Certificate of Conformity Hook certificate



 Several options for painting according ISO 12944 on request.

Proof Load Certificate on request.

**Non-standard sizes or custom products available on request.**



SWL	Wire	ØF	ØG	Weight
tons	mm	mm	mm	kg ±
5	10	220	250	100
7,5	11/12	250	285	120
10	13/14	285	325	150
12	15/16	315	360	200
16	17/18	355	410	250
20	19/20	400	460	300
25	21/22	450	515	400
32	23/26	520	590	500
40	27/30	560	630	700
50	31/35	630	720	850
60	36	720	810	1000