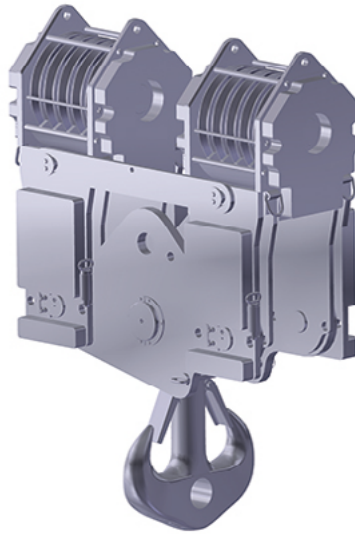



TWIN HOOK BLOCKS



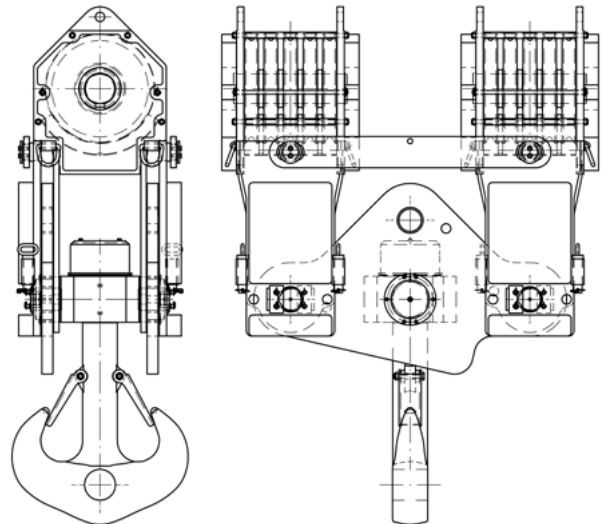
Finish	:	Painted
Temperature Range	:	-20 °C up to +200 °C (-40 °C on request)
Standard Certification	:	Certificate of Conformity
Certificate on Request	:	3.1 material certificate EN 10204

 Several options for painting according ISO 12944 on request.

Proof Load Certificate on request.

Blocks can be used individually as single blocks with the same hook.

Non-standard sizes or custom products available on request.



SPECIFICATION & OPTIONS



Size of wire

The size of the wire is relevant for the groove and the diameter (D/d-ratio) of the sheaves.

SWL/WLL

Working Load Limit (or Safe Working Load); the maximum load the relevant product is allowed to lift.



Type of hook

Hooks are available in single or double version.



Size of hook



Dead-end becket

Connector for wire rope end-fitting.



Own weight

The product's own weight.