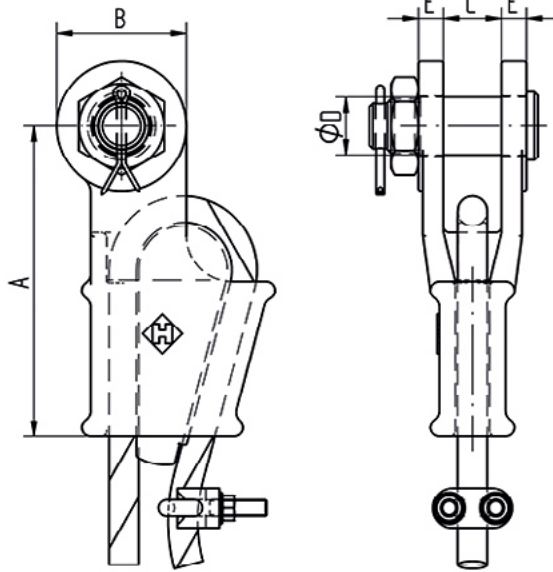


OPEN WEDGE SOCKET WITH SAFETY PIN



Material	:	Cast steel
Working Load Limit	:	20% of the MBL
Finish	:	Painted or galvanised (< Type no. 6 standard galvanised)
Temperature Range	:	-40°C up to +200°C
Standard Certification	:	Certificate of Conformity 3.1 material certificate EN 10204

Non-standard sizes or custom products available on request.



NR.	Rope Ø		Article number		MBL	A	B	C	ØD	E	Weight
	mm	inch	painting RAL 5013 blue	galvanised							
0.5	9 - 10	3/4	-	OWSB0,5G	10	146	47	20,5	20	11	1,7
1	11 - 13	1/2	-	OWSB1G	16	146	57	25,5	20	12	2,3
2	14 - 16	5/8	-	OWSB2G	25	176	70	32	30	14	3,9
3	17 - 19	3/4	-	OWSB3G	32	212	80	38	35	16	6,1
4	20 - 22	7/8	-	OWSB4G	45	240	96	44	41	19	9,3
5	23 - 26	1	-	OWSB5G	70	274	114	51	51	22	14,8
6	27 - 29	1 1/8	OWSB6P	OWSB6G	100	310	130	57	57	25	21,1
7	30 - 33	1 1/4	OWSB7P	OWSB7G	110	350	146	63	63	28	32,8
8	34 - 36	1 3/8	OWSB8P	OWSB8G	125	400	148	69	63	28	39,3
9	37 - 40	1 1/2	OWSB9P	OWSB9G	150	450	160	76	70	30	52,5
10	41 - 43	1 5/8	OWSB10P	OWSB10G	200	500	174	76	76	33	67,5
11	44 - 48	1 3/4 - 1 7/8	OWSB11P	OWSB11G	260	550	200	89	89	39	98,2
12	49 - 53	2	OWSB12P	OWSB12G	280	650	200	101	95	46	122,5
13	56	2 1/4	OWSB13P	OWSB13G	360	660	250	113	108	53	178,4
14	63	2 1/2	OWSB14P	OWSB14G	450	840	270	127	121	60	281
15	75	3	OWSB15P	OWSB15G	520	1000	300	146	133	76	469
16	81 - 86	3 1/4 - 3 3/8	OWSB16P	OWSB16G	625	1100	300	159	140	79	630