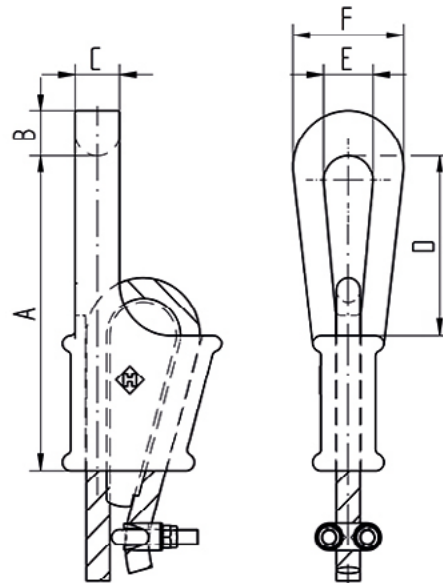


CLOSED WEDGE SOCKET



Material	:	Steel
Working Load Limit	:	20% of the MBL
Finish	:	Painted or galvanised (< Type no. 6 standard galvanised)
Temperature Range	:	-40°C up to +200°C
Standard Certification	:	Certificate of Conformity 3.1 material certificate EN 10204

Non-standard sizes or custom products available on request.



NR.	Rope Ø		Article number		MBL tons	A	B	C	D	E	F	Weight kg ±
	mm	inch	painting RAL 5013 blue	galvanised								
3103	17 - 19	¾	CWS3103P	CWS3103G	32	220	100	34	100	40	90	7
3104	20 - 22	7/8	CWS3104P	CWS3104G	45	225	115	42	125	47	110	9
3105	23 - 26	1	CWS3105P	CWS3105G	70	290	130	50	130	55	125	14
3106	27 - 29	1 1/8	CWS3106P	CWS3106G	100	325	145	60	145	70	152	22
3107	30 - 33	1 ¼	CWS3107P	CWS3107G	110	360	160	68	160	75	165	30
3108	34 - 36	1 3/8	CWS3108P	CWS3108G	125	400	180	68	170	75	165	38
3109	37 - 40	1 ½	CWS3109P	CWS3109G	150	500	240	72	240	80	185	49
3110	41 - 43	1 5/8	CWS3110P	CWS3110G	200	600	310	80	310	90	210	65
3111	44 - 48	1 ¾ - 1 7/8	CWS3111P	CWS3111G	260	640	325	90	325	100	225	100
3112	49 - 53	2	CWS3112P	CWS3112G	280	720	375	100	360	110	245	150
3113	56	2 ¼	CWS3113P	CWS3113G	360	775	400	110	400	120	265	175
3114	63	2 ½	CWS3114P	CWS3114G	450	900	470	120	470	130	290	230
3115	75	3	CWS3115P	CWS3115G	520	1000	500	130	500	150	330	300
3116	75	3	CWS3116P	CWS3116G	520	1125	550	135	550	165	360	425