

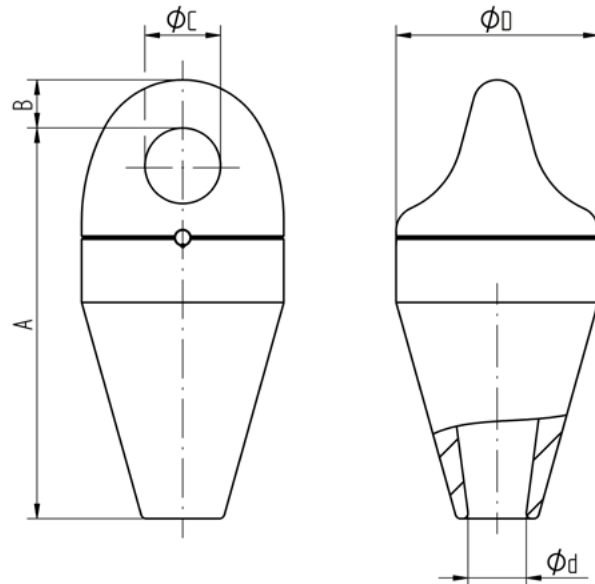
# CRX MOORING SOCKET



Material	:	Forged steel
Working Load Limit	:	20% of the MBL
Finish	:	Painted
Temperature Range	:	-40°C up to +200°C
Standard Certification	:	Certificate of Conformity 3.1 material certificate EN 10204



**Non-standard sizes or custom products available on request.**



Article number	Size	Ød Rope mm	MBL tons	A*		B mm	ØC mm	ØD* mm
	inch			min. mm	max. mm			
CRX_S_2 ½	2 ½	50 - 75	520	460	560	64	100	270
CRX_S_3	3	75 - 90	715	570	650	76	120	320
CRX_S_3 ½	3 ½	85 - 100	900	650	725	83	140	350
CRX_S_4	4	90 - 110	1000	720	810	102	160	430

\*related to specific rope diameter or wire rope construction.