

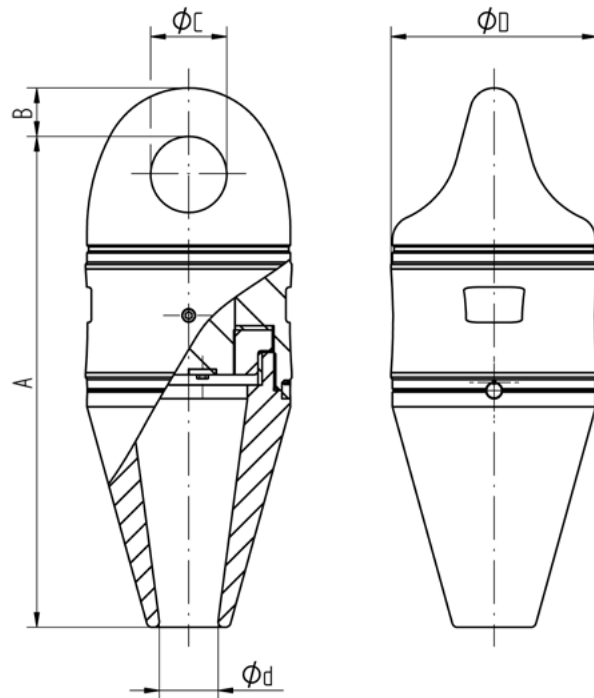
CRX ROPE SWIVEL SOCKET



Material	:	Forged steel
Working Load Limit	:	20% of the MBL
Finish	:	Painted
Temperature Range	:	-40°C up to +200°C
Standard Certification	:	Certificate of Conformity 3.1 material certificate EN 10204



Non-standard sizes or custom products available on request.



Art. no.	Size	Ød Rope mm	MBL tons	A*		B mm	ØC mm	ØD* mm
	inch			min. mm	max. mm			
CRX_Rope_2 ½	2 ½	50 - 75	520	622	727	64	100	270
CRX_Rope_3	3	76 - 90	715	762	827	76	120	320
CRX_Rope_3 ½	3 ½	85 - 100	900	842	900	83	140	380
CRX_Rope_4	4	90 - 110	1000	916	1000	102	160	430

*related to specific rope diameter or wire rope construction.