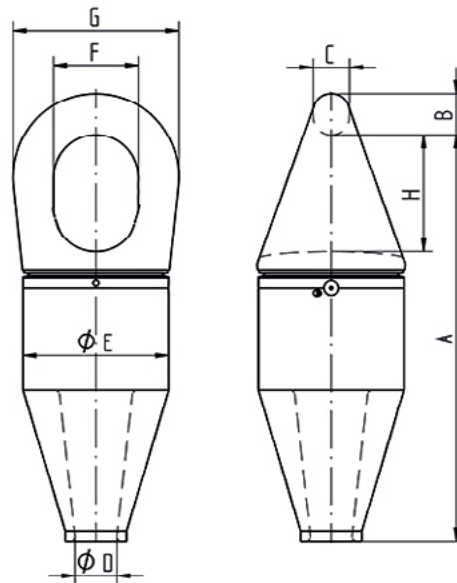


CR ROPE SWIVEL



Material	:	Alloy steel quenched and tempered
Working Load Limit	:	20% of the MBL
Finish	:	Painted
Temperature Range	:	-20°C up to +200°C
Standard Certification	:	Certificate of Conformity

Non-standard sizes or custom products available on request.



Size	Rope dia.		Article number	MBL	A	B	C	D	E	F	G	H	Weight
Inches	mm	Inch	Painted	tons	mm								kg ±
2"	40 - 54	1 5/8 - 2 1/8	CR-ROPE2	250	635	55	50	57	220	115	220	165	117
2 1/4"	55 - 60	2 1/4 - 2 3/8	CR-ROPE2¼	300	690	65	57	63	238	135	230	195	138
2 1/2"	61 - 72	2 1/2 - 2 3/4	CR-ROPE2½	400	720	75	65	75	250	150	270	205	165
3"	73 - 84	3 - 3 1/8	CR-ROPE3	600	835	85	75	86	300	175	342	240	245
3 1/2"	85 - 93	3 1/2 - 3 5/8	CR-ROPE3½	800	965	105	95	101	330	205	360	285	345
4"	94 - 105	3 3/4 - 4 1/8	CR-ROPE4	900	1060	110	100	108	365	225	380	320	485