

HEAVY DUTY SWIVEL EYE 200 - 1750 TONS

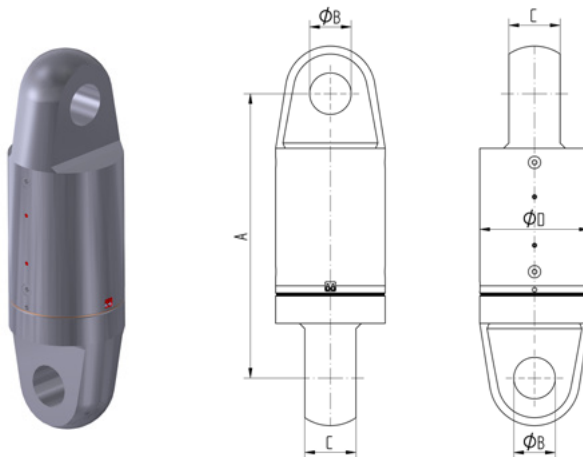


Material	:	Alloy steel quenched and tempered
Safety Factor	:	5 times WLL
Finish	:	Painted
Temperature Range	:	-20 °C up to +180 °C (-40 °C available on request)
Standard Certification	:	Certificate of Conformity 3.1 material Certificate EN 10204



Upon request also available for underwater use.

Non-standard sizes or custom products available on request.



Article number	WLL	A	ØB	C	ØD
	tons	mm			
HDS200EE	200	865	130	150	350
HDS250EE	250	1040	145	160	400
HDS300EE	300	1175	155	175	480
HDS400EE	400	1310	180	210	520
HDS500EE	500	1355	190	235	520
HDS600EE	600	1530	210	265	600
HDS700EE	700	1580	222	290	600
HDS800EE	800	1660	235	290	650
HDS900EE	900	1780	255	310	710
HDS1000EE	1000	1830	275	330	710
HDS1250EE	1250	1995	305	350	790
HDS1550EE	1550	2115	325	350	840
HDS1750EE	1750	2225	365	410	890