

# HEAVY DUTY SWIVEL JAW JAW 200 - 1750 TONS

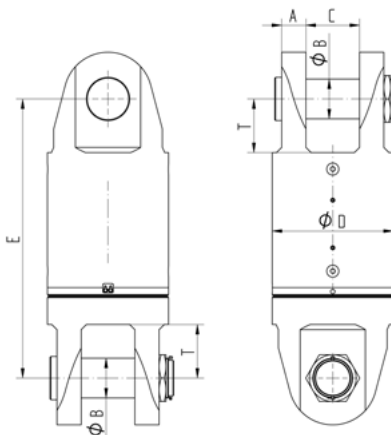


Material	:	Alloy steel quenched and tempered
Safety Factor	:	5 times WLL
Finish	:	Painted
Temperature Range	:	-20 °C up to +180 °C (-40 °C available on request)
Standard Certification	:	Certificate of Conformity 3.1 material Certificate EN 10204



Upon request also available for underwater use.

**Non-standard sizes or custom products available on request.**



Article number	WLL	A	ØB	C	ØD	E	T
	tons	mm					
HDS200JJ	200	70	125	160	360	875	170
HDS250JJ	250	80	140	180	450	1050	200
HDS300JJ	300	90	150	195	490	1185	215
HDS400JJ	400	100	175	230	570	1320	240
HDS500JJ	500	120	185	255	630	1365	250
HDS600JJ	600	130	205	285	690	1540	265
HDS700JJ	700	140	217	310	740	1590	280
HDS800JJ	800	140	230	310	770	1670	305
HDS900JJ	900	150	250	330	820	1790	320
HDS1000JJ	1000	165	270	350	880	1840	335
HDS1250JJ	1250	175	300	370	970	2005	375
HDS1550JJ	1550	175	320	370	1000	2125	425
HDS1750JJ	1750	205	360	430	1140	2235	440