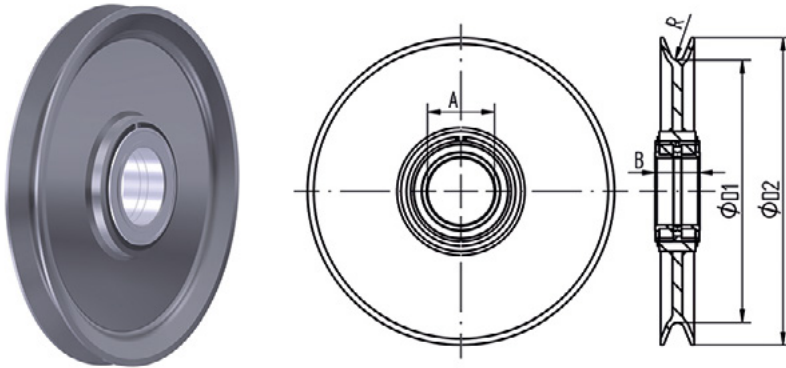




Sheave is available in any size with maximum outside diameter ($\varnothing D2$) 950mm and rope diameter 38mm.



Wire dia.	$\varnothing D1$	$\varnothing D2$	R	A	B
mm					
13	286	320	7	80	60
14	280	320	7,5	90	67
16	315	360	8,5	90	67
18	355	410	9,5	65 - 100	46 - 67
20	400	460	10,5	90	67
22	450	515	12	90	67
18 - 20 - 22	500	560	9,5 - 10,5 - 12	90 - 120	67 - 80
22 - 26	560	630	12 - 14	90 - 120 - 200	67 - 80 - 80
28	575	650	15	160	80
32	630	720	17	160	80