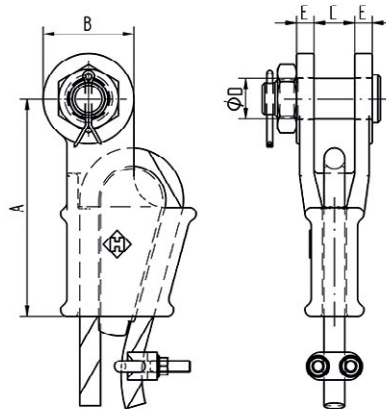


FIXED-END WEDGE SOCKET WITH SAFETY PIN



Material	:	Cast steel
Working Load Limit	:	20% of the MBL
Finish	:	Painted or galvanised (< Type no. 6 standard galvanised)
Temperature Range	:	-40 °C up to +200 °C
Standard Certification	:	Certificate of Conformity 3.1 material certificate EN 10204

**Non-standard sizes or custom products available on request.
Including Wire Rope Clip.**



NR.	Rope Ø mm	Article number		MBL tons	A	B	C	ØD	E	Weight kg ±
		paint RAL 5013 blue	galvanised							
0.5	9 - 10	-	OWSB0,5G	10	146	47	20,5	20	11	1,7
1	11 - 13	-	OWSB1G	16	146	57	25,5	20	12	2,3
2	14 - 16	-	OWSB2G	25	176	70	32	30	14	3,9
3	17 - 19	-	OWSB3G	32	212	80	38	35	16	6,1
4	20 - 22	-	OWSB4G	45	240	96	44	41	19	9,3
5	23 - 26	-	OWSB5G	70	274	114	51	51	22	14,8
6	27 - 29	OWSB6P	OWSB6G	100	310	130	57	57	25	21,1
7	30 - 33	OWSB7P	OWSB7G	110	350	146	63	63	28	32,8
8	34 - 36	OWSB8P	OWSB8G	125	400	148	69	63	28	39,3
9	37 - 40	OWSB9P	OWSB9G	150	450	160	76	70	30	52,5
10	41 - 43	OWSB10P	OWSB10G	200	500	174	76	76	33	67,5
11	44 - 48	OWSB11P	OWSB11G	260	550	200	89	89	39	98,2
12	49 - 53	OWSB12P	OWSB12G	280	650	200	101	95	46	122,5
13	56	OWSB13P	OWSB13G	360	660	250	113	108	53	178,4
14	63	OWSB14P	OWSB14G	450	840	270	127	121	60	281
15	75	OWSB15P	OWSB15G	520	1000	300	146	133	76	469
16	81 - 86	OWSB16P	OWSB16G	625	1100	300	159	140	79	630