

LIGHT TYPE SNATCHBLOCK



Material	:	Mild steel
Safety Factor	:	4 times
Finish	:	Painted
Temperature Range	:	-20 °C up to +180 °C
Standard Certification	:	Certificate of Conformity Proofload Certificate



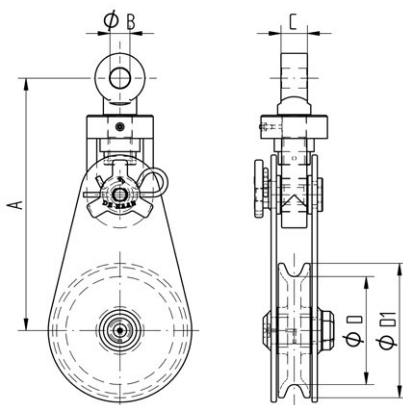
Sheaves with roller bearing on request.



Groove size can be modified on request for customized rope sizes.



Available with shackle



Type	SWL	Rope size	Line pull	Suitable for Shackle	A	ØB	C	ØD	ØD1	Weight
	tons	mm	tons		mm					kg ±
H41903	3.25	8 - 10	1.625	3.25	188	20.5	25	56	75	4
H41905	4.75	11 - 14	2.375	4.75	250	24	30	86	114	9
H41906	8.5	18 - 20	4.25	8.5	356	30	40	112	152	19
H41908	8.5	18 - 20	4.25	8.5	381	30	40	163	203	24
H41910	9.5	18 - 20	4.75	9.5	406	34	44	214	254	30
H41912	9.5	18 - 20	4.75	9.5	446	34	44	265	305	39
H41914	12	18 - 20	6	12	516	37	48	305	355	50
H41916	13.5	22 - 25	6.75	13.5	645	42	54	356	406	93
H41918	17	22 - 25	8.5	17	690	44	57	408	458	112