



1 SHEAVE OVERHEAD TRAVELLING CRANE

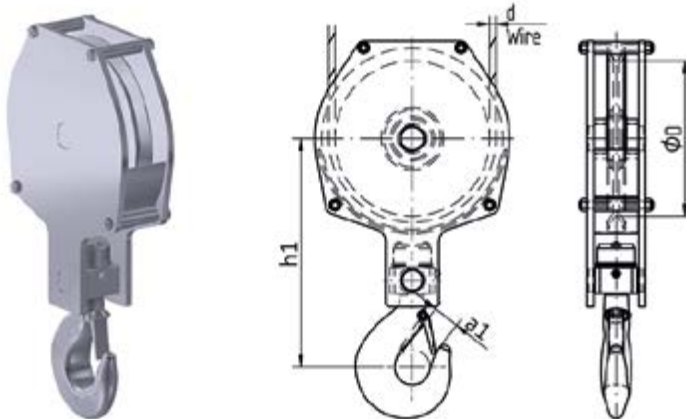
Safety Factor	:	4 times
Finish	:	Painted
Temperature Range	:	-4°F up to 356°F (-40°F on request)
Standard Certification	:	Certificate of Conformity Hook Certificate



Several options for painting according ISO 12944 on request.

Proof Load Certificate on request.

Non-standard sizes or custom products available on request.



SWL USt	Hook size	d Wire	ØD	h1	a1
(1 Bm)	P	inch			
5,5	2,5	$\frac{3}{8} - \frac{7}{16}$	$8 \frac{7}{16}$	15	$1 \frac{1}{8}$
8,8	4	$\frac{1}{2}$	$9 \frac{13}{16}$	$17 \frac{1}{2}$	$1 \frac{29}{32}$
11,0	5	$\frac{5}{16} - \frac{9}{16}$	$12 \frac{7}{16}$	$19 \frac{3}{16}$	$2 \frac{7}{32}$
13,2	6	$\frac{5}{8} - \frac{11}{16}$	14	$22 \frac{7}{16}$	$2 \frac{1}{16}$
17,6	6	$2 \frac{3}{32}$	14	$22 \frac{7}{16}$	$2 \frac{1}{16}$
22,0	8	$\frac{3}{4} - \frac{13}{16}$	$15 \frac{23}{32}$	$24 \frac{13}{16}$	$2 \frac{23}{32}$
27,6	10	$2 \frac{7}{32} - \frac{7}{8}$	$19 \frac{23}{32}$	$28 \frac{1}{2}$	3