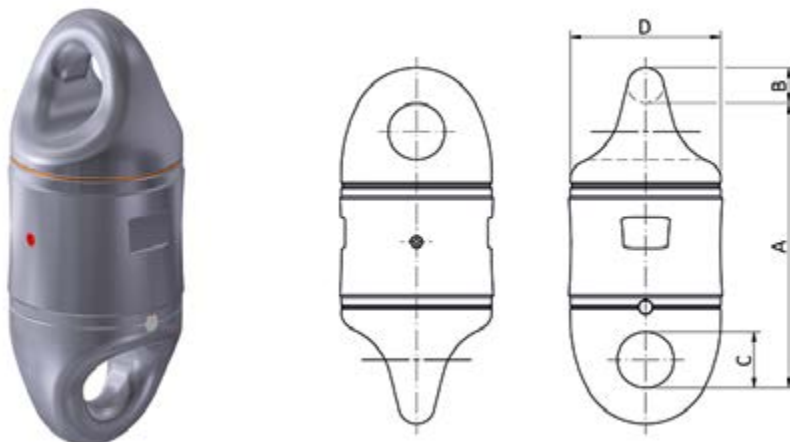


Material	:	Alloy steel quenched and tempered
Steel Grade	:	R4 or R5
Finish	:	Painted
Temperature Range	:	-40°F up to 356°F
Standard Certification	:	Certificate of Conformity DNV-OS-E302 DNV Type approval ABS Type approval R4 ABS Type approval R5

TYPE APPROVED PRODUCT
DNV•GL



Non-standard sizes or custom products available on request.



Grade R4 - Painted RAL 5013 blue

Article number	Size	Kenter	PL	MBL	A	B	C	D	Weight ±
	inch		kN	kN	inch				lbs
CRX-2-GR4	2	2 - 2 ½	2327	2952	17 ²³ / ₃₂	2	3 ⁵ / ₃₂	8 ²¹ / ₃₂	220
CRX-21/2-GR4	2 ½	2 ½ - 3	3440	4364	21 ¼	2 ½	3 ¹⁵ / ₁₆	10 ³³ / ₁₆	412
CRX-3-GR4	3	3 - 3 ½	4731	6001	23 ¹³ / ₁₆	3	4 ²³ / ₃₂	12 ¹³ / ₁₆	626
CRX-31/2-GR4	3 ½	3 ½ - 4	6310	8004	26 ³ / ₈	3 ½	5 ½	14 ³¹ / ₃₂	941
CRX-4-GR4	4	4 - 4 ½	8054	10217	29 ²³ / ₃₂	4	6 ⁵ / ₁₆	17 ½	1382

Grade R5 - Painted RAL 1004 yellow

Article number	Size	Kenter	PL	MBL	A	B	C	D	Weight ±
	inch		kN	kN	inch				lbs
CRX-2-GR5	2	2 - 2 ½	2704	3447	17 ²³ / ₃₂	2	3 ⁵ / ₃₂	8 ²¹ / ₃₂	220
CRX-21/2-GR5	2 ½	2 ½ - 3	3997	5096	21 ¼	2 ½	3 ¹⁵ / ₁₆	10 ³³ / ₁₆	412
CRX-3-GR5	3	3 - 3 ½	5498	7009	23 ¹³ / ₁₆	3	4 ²³ / ₃₂	12 ¹³ / ₁₆	626
CRX-31/2-GR5	3 ½	3 ½ - 4	7332	9348	26 ³ / ₈	3 ½	5 ½	14 ³¹ / ₃₂	941
CRX-4-GR5	4	4 - 4 ½	9359	11932	29 ²³ / ₃₂	4	6 ⁵ / ₁₆	17 ½	1382