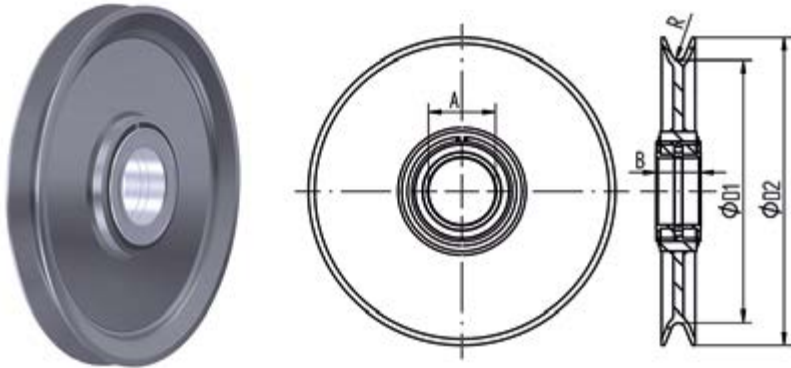




Sheave is available in any size with maximum outside diameter (d2) 37,4 inch and rope diameter 1,5 inch.



Wire dia.	ØD1	ØD2	R	A	B
inch					
½	11 ⅜	12 ⅝	⅜	3 ⅜	2 ⅞
⅝	11	12 ⅝	⅜	3 ½	2 ⅝
⅜	12 ⅞	14 ⅞	⅜	3 ½	2 ⅝
⅜	14	16 ⅝	⅞	2 ⅝ - 3 ⅞	1 ⅜ - 2 ⅝
⅝	15 ⅜	18 ⅝	⅞	3 ½	2 ⅝
⅜	17 ⅜	20 ⅝	½	3 ½	2 ⅝
⅝ - ⅝ - ⅝	19 ⅜	22	⅞ - ½	3 ½ - 4 ⅜	2 ⅝ - 3 ⅝
⅝ - 1	22	24 ⅜	½ - ⅝	3 ½ - 4 ⅜ - 7 ⅞	2 ⅝ - 3 ⅝
1 ⅝	22 ⅝	25 ⅝	⅝	6 ⅜	3 ⅝
1 ¼	24 ⅜	28 ⅝	⅞	6 ⅜	3 ⅝