



# SHIPBOARD CRANE BLOCK 2 SHEAVES

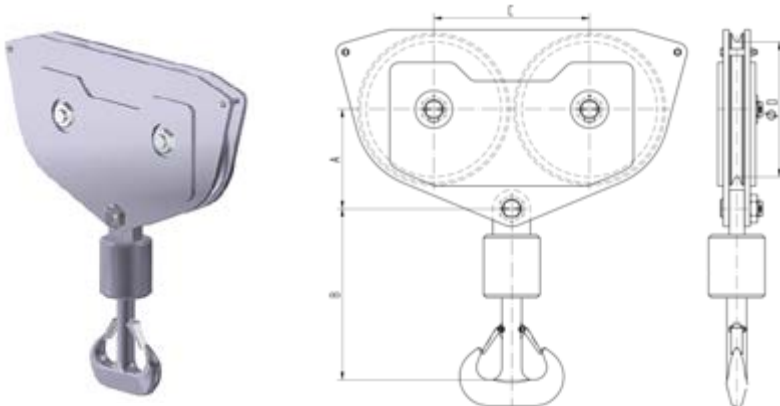
Finish	:	Painted
Temperature Range	:	-4°F up to 356°F (-40°F on request)
Standard Certification	:	Certificate of Conformity
Certification on Request	:	3.1 material Certificate EN 10204



Several options for painting according ISO 12944 on request.

Proof Load Certificate on request.

**Non-standard sizes or custom products available on request.**



SWL	ØRope size	ØSheaves	Weight
USt	inch		lbs
27,6	1 3/16	28 3/8 - 24 1/16	2205
35,3	1 1/4	28 3/8 - 24 1/16	2425
49,6	1 3/8	31 29/32 - 28 3/8	3087
55,1	1 1/2	31 29/32 - 28 3/8	3748
66,1	1 7/8	35 - 31 1/2	4409