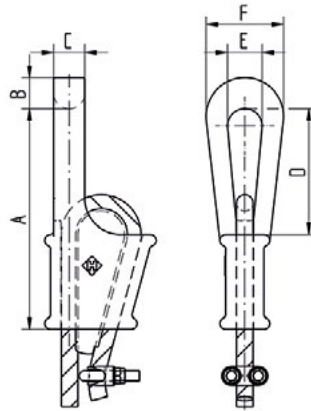




CLOSED WEDGE SOCKET

Material	:	Steel
Working Load Limit	:	20% of the MBL
Finish	:	Painted or galvanised (< Type no. 6 standard galvanised)
Temperature Range	:	-40 °C up to +200 °C
Standard Certification	:	Certificate of Conformity 3.1 material certificate EN 10204

Non-standard sizes or custom products available on request.



NR.	Rope Ø	Article number		MBL	A	B	C	D	E	F	Weight
	mm	painting RAL 5013 blue	galvanised								
3103	17 - 19	CWS3103P	CWS3103G	32	220	34	34	100	40	90	7
3104	20 - 22	CWS3104P	CWS3104G	45	225	42	42	125	47	110	9
3105	23 - 26	CWS3105P	CWS3105G	70	290	50	50	130	55	125	14
3106	27 - 29	CWS3106P	CWS3106G	100	325	60	60	145	70	152	22
3107	30 - 33	CWS3107P	CWS3107G	110	360	68	68	160	75	165	30
3108	34 - 36	CWS3108P	CWS3108G	125	400	68	68	170	75	165	38
3109	37 - 40	CWS3109P	CWS3109G	150	500	72	72	240	80	185	49
3110	41 - 43	CWS3110P	CWS3110G	200	600	80	80	310	90	210	65
3111	44 - 48	CWS3111P	CWS3111G	260	640	90	90	325	100	225	100
3112	49 - 53	CWS3112P	CWS3112G	280	720	100	100	360	110	245	150
3113	56	CWS3113P	CWS3113G	360	775	110	110	400	120	265	175
3114	63	CWS3114P	CWS3114G	450	900	120	120	470	130	290	230
3115	75	CWS3115P	CWS3115G	520	1000	130	130	500	150	330	300
3116	75	CWS3116P	CWS3116G	520	1125	135	135	550	165	360	425