



HOOK BLOCKS SPEED REEVE 1 AND 3 SHEAVE(S)

Safety Factor	:	4 times
Finish	:	Painted
Temperature Range	:	-20 °C up to +180 °C (-40 °C on request)
Standard Certification	:	Certificate of Conformity Hook Certificate



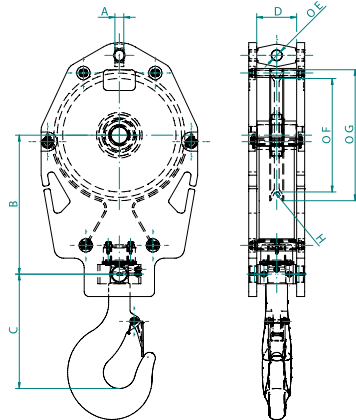
Several options for painting according ISO 12944 on request.

Proof Load Certificate on request.

Non-standard sizes or custom products available on request.

Please contact our sales representatives or visit our online product platform for more information about our product applications and options.

HOOK BLOCK SPEED REEVE 1 SHEAVE



HOOK BLOCK SPEED REEVE 3 SHEAVES

