

CRX MOORING SOCKET

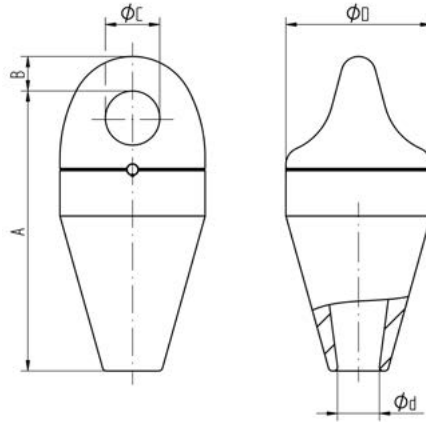


| | | |
|------------------------|---|--|
| Material | : | Forged steel |
| Working Load Limit | : | 20% of the MBL |
| Finish | : | Painted |
| Temperature Range | : | -40°F up to 392°F |
| Standard Certification | : | Certificate of Conformity 3.1 material certificate EN 10204 |



 ISO 12944 coating on request.

Non-standard sizes or custom products available on request.



| Article number | Size | Ød Rope | MBL | A' | | B | ØC | ØD* |
|----------------|------|-----------|--------|-----------|-----------|-----|--------|----------|
| | inch | | | min. inch | max. inch | | | |
| CRX_S_2 ½ | 2 ½ | 2 - 3 | 573,2 | 18 ½ | 22 | 2 ½ | 3 ²⁄₃₂ | 10 ⅝ |
| CRX_S_3 | 3 | 3 - 3 ½ | 788,1 | 22 ⁷⁄₁₆ | 25 ⅝ | 3 | 4 ²⁄₃₂ | 12 ⅝ |
| CRX_S_3 ½ | 3 ½ | 3 ¾ - 4 | 992,1 | 25 ⅝ | 28 ½ | 3 ⅝ | 5 ½ | 13 ¹³⁄₁₆ |
| CRX_S_4 | 4 | 3 ½ - 4 ¾ | 1102,3 | 28 ⅝ | 31 ²⁄₃₂ | 4 | 6 ⅝ | 16 ²⁄₃₂ |

*related to specific rope diameter or wire rope construction.