



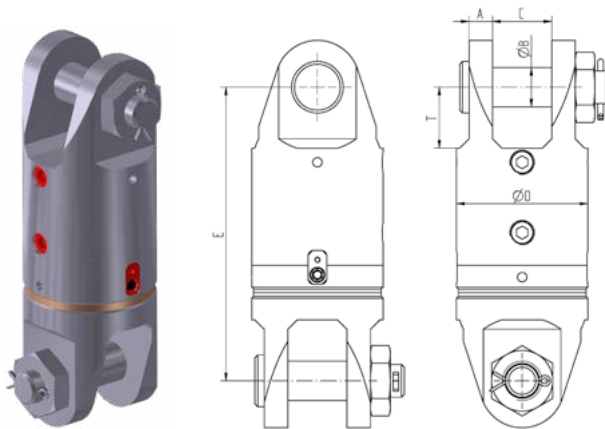
# HEAVY DUTY SWIVEL JAW JAW 9,5 - 150 TONS

Material	:	Alloy steel quenched and tempered
Safety Factor	:	5 times WLL
Finish	:	Painted
Temperature Range	:	-4°F up to 356°F (-40°F on request)
Standard Certification	:	Certificate of Conformity 3.1 material Certificate EN 10204 Proofload Certificate



Upon request also available for underwater use.

**Non-standard sizes or custom products available on request.**



Article number	WLL	A	ØB	C	ØD	E	T	Weight ±
	USt							
		inch						
HDS9,5JJ	10,5	5/8	1 1/16	2	4 29/32	10 5/8	2	46,3
HDS13,5JJ	14,9	29/32	1 1/2	2 7/16	5 1/8	12 1/16	2 13/16	59,5
HDS17JJ	18,7	1	1 23/32	2 1/2	5 1/2	12 1/16	2 5/8	72,8
HDS25JJ	27,6	1	2	3 1/8	5 29/32	12 29/32	2 5/8	90,4
HDS35JJ	38,6	1 1/16	2 7/32	3 1/2	7 1/8	14 29/32	3	145,5
HDS55JJ	60,6	1 5/8	2 13/16	4 7/16	8 23/32	18 5/8	3 29/32	262,4
HDS85JJ	93,7	2	3 3/16	5 1/8	10 7/32	21 7/32	4 3/16	429,9
HDS120JJ	132,3	2 7/16	3 23/32	5 29/32	12 5/8	25 29/32	5 1/16	765,0
HDS150JJ	165,3	2 9/16	4 1/4	7	14 1/16	28 11/16	6	1038,4